



# PowerSines HS Series

## Smart Energy Saving for Small-Businesses & Houses

The **PowerSines HS Series** is a family of smart energy saving products designed for small-businesses and houses. The products' proprietary power technology, small footprint and easy installation enable users to enjoy the full benefits of power optimization – **saving electricity, reducing CO<sub>2</sub> emissions, and extending the lifespan of electrical appliances.**

### Save Energy & Reduce Costs

The voltage supplied by utility companies fluctuates at the range of 230V±10% while electric appliances function most effectively at lower voltages. Overvoltage wastes energy, shortens the lifetime of appliances, and can cause equipment failure. By lowering, optimizing and stabilizing the voltage, energy is saved and equipment lifetime is extended – providing ongoing, significant, direct and indirect costs' reduction.

PowerSines innovative HS products automatically monitor the incoming voltage and ensure that the right power level is supplied to the appliances.

### Protect All Appliances from Power Surge

The PowerSines systems' robust design guarantees reliable operation and minimum maintenance. A **central surge protection** option is available for safeguarding expensive electrical equipment, eliminating the need for appliance-specific protection devices for TVs, computers, HiFi systems, refrigerators, etc.

### Monitor and Control Remotely

PowerSines HS Series energy controllers optionally include **PowerSines Remote EMS** (Energy Management System). This proprietary IoT site-level loads' monitoring and management system enables full visibility and control as well as advanced analytics for effective energy management, using a cloud-based solution accessible from anywhere, anytime.

### Protect the Environment

Typical kWh of electricity consumed in Europe releases an average of 0.5 kg CO<sub>2</sub> emissions into the atmosphere. PowerSines HS units reduce electricity consumption, thereby they lower the carbon footprint – and by so, contribute to a greener planet.

## Features & Benefits

Energy saving of 8%-18%

Voltage stabilization and over-voltage elimination

Extension of electrical equipment lifespan & reduction of maintenance costs

Remote monitoring of energy consumption and saving

Central Surge Protection protects appliances from voltage spikes

Quick and easy installation, using existing electrical infrastructure

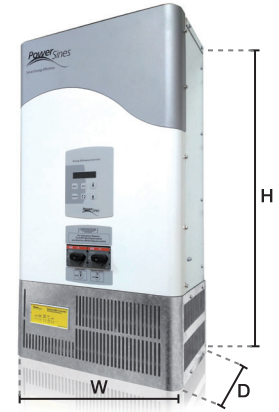
Dual bypass mechanism (automatic and manual)

Small footprint

CO<sub>2</sub> emissions reduction



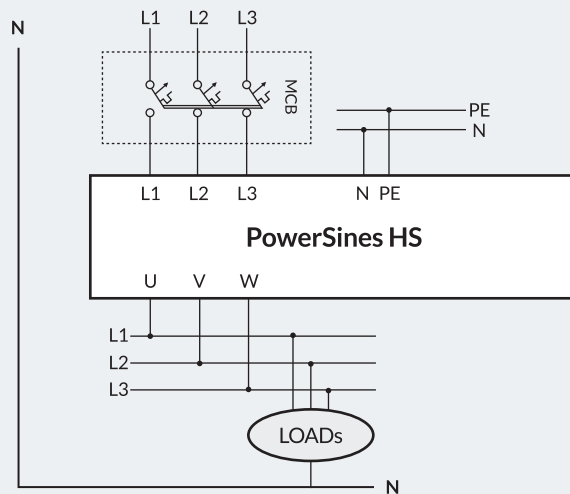
# PowerSines HS Product Models



SPECIFICATIONS	HS-132	HS-340	HS-363
Type	Single Phase	Three Phase	Three Phase
Catalog Number	0H25-A20320-230	0C2V-000400-380	0C2A-000630-380
Amp	1x32A	3x40A	3x63A
KVA	7.36	27.7	43.6
Dimensions (mm) HxDxW	455 x 189 x 122	574 x 249 x 397	652 x 243 x 397
Weight	13kg	35kg	56kg
Terminals Cross Section	10mm <sup>2</sup>	16mm <sup>2</sup>	35mm <sup>2</sup>
Input Voltage	1x230V VAC ± 10%	3x230V VAC ± 10%	3x230V VAC ± 10%
Voltage Regulation	1%	1%	1%
Frequency	50Hz	50Hz	50Hz
Efficiency	99%	99%	99%
IP Class	IP 20	IP 20	IP 20
Ambient Temperature	-20°C - +40°C	-20°C - +40°C	-20°C - +40°C
Measurements	V	A, V, kW, PF, kWh	A, V, kW, PF, kWh
Networks	TN-S	TN-S	TN-S
Remote EMS	N/A	Optional	Optional
Central Surge Protection	N/A	Optional	N/A

\* Specifications are subject to change without notice

## Electric Diagram



\* See the PowerSines HS Installation Manual for additional electric configurations